

DZR Lead Free Brass Threaded Ends Swing Check Valve

Feature

- 125# WSP / 300# CWP
- DZR lead free brass body
- DZR lead free brass disc
- FNPT x FNPT
- Threaded ends (ASME B1.20.1-NPT)
- Swing check
- "Y" Pattern
- MSS-SP-139
- AB1953, NSF/ANSI/CAN 61 & 372 certified

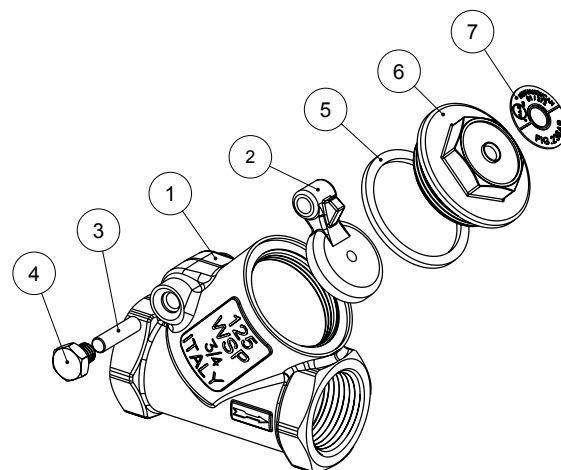
- Meet BAA requirement



Pressure/ Temperature rating	
300 psi from 15 °F to 160 °F	125 psi max. at 344 °F

Material

	Part	Material	Specification
1	Body	DZR Lead Free Brass	C85660
2	Retaining disc	DZR Lead Free Brass	ASTM B927 C27453
3	Stem	Lead Free Brass	ASTM B927 C27450
4	Screw	Lead Free Brass	ASTM B927 C27450
5	Gasket	PTFE	NSF approved
6	Cap	DZR Lead Free Brass	ASTM B927 C27453
7	Disc	Aluminum	-



Dimension, Cv, Weight

Size	DN	A [in]	C [in]	H [in]	P [in]	S [in]	Cv [in]	Wt. [lb]
½"	½ - 14 NPT	2.21	0.39	1.65	0.59	1.10	5.33	0.584
¾"	¾ - 14 NPT	2.76	0.51	1.97	0.75	1.34	10.5	0.930
1"	1 - 11.5 NPT	3.15	0.64	2.28	0.98	1.61	19.0	1.38
1¼"	1¼ - 11.5 NPT	3.78	0.66	2.71	1.26	1.97	32.8	2.15
1½"	1½ - 11.5 NPT	4.33	0.69	3.19	1.50	2.24	50.6	2.97
2"	2 - 11.5 NPT	5.04	0.73	3.86	1.97	2.76	88.1	4.82

